



QUALITY PRODUCTS AT AFFORDABLE PRICE

# 48" STATIONARY GROOMING TABLE



Model: GB48SST  
Short Legs

Model: GB48TST  
Tall Legs

Model: GB48AST  
ADA Height

## INCLUDED:

- (4) Leg levelers
- (1) Flip top grooming arm
- (2) Built-in clamps

## ***This sleek Stationary Grooming Table ships to you fully assembled.***

Ideal for public spaces, requires no maintenance and comes in an ADA-compliant version. Works as a drying table and/or grooming table. All stainless steel construction with a durable non-slip coating on the top. Includes an adjustable height flip top grooming arm that can be used on the left or right side. Black table top comes standard or choose from gray, tan, pink, teal or purple. **Custom color for table top CAN be ordered at an extra fee** to match your décor. These stationary tables are available in 48" or 60" length and 18", 30" (ADA), or 36" height.

### Features:

- 18-gauge stainless steel with stainless steel reinforcement beam.
- Fully welded construction.
- Includes one stainless grooming arm and integrated clamps.
- Reinforced, textured table top 24" x 48"
- No assembly needed.
- Handcrafted in the USA.
- Three year warranty.

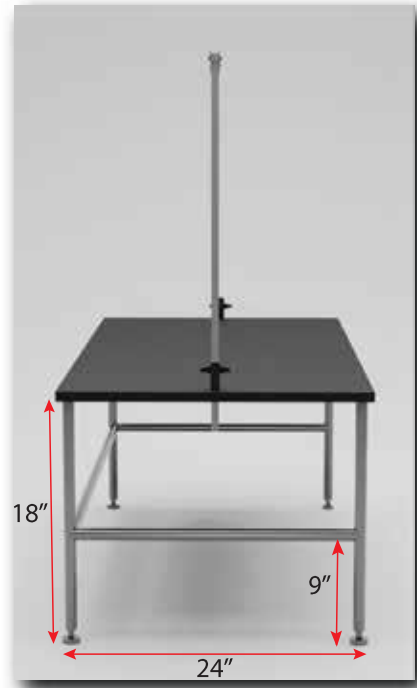


605-582-3013 | [customerservice@groomersbest.com](mailto:customerservice@groomersbest.com)

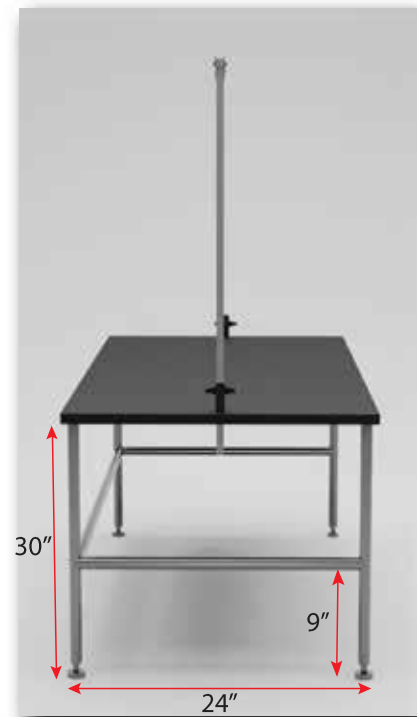
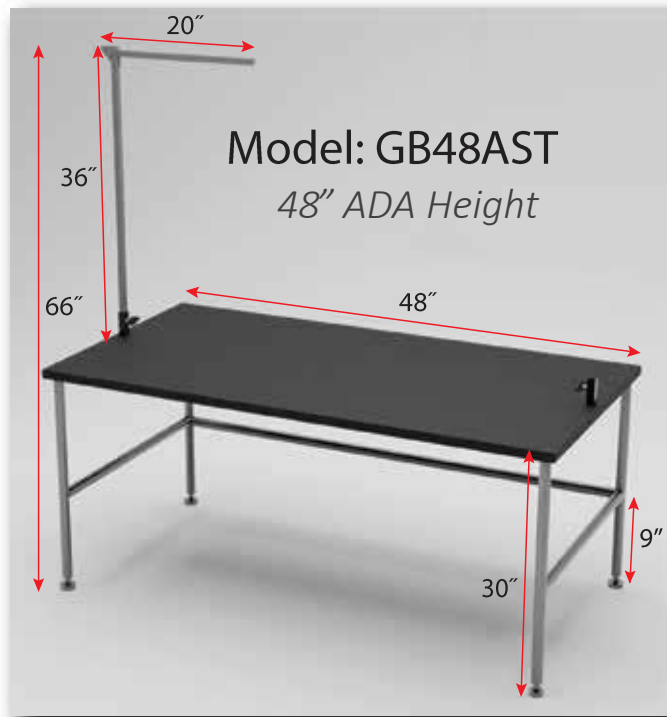
[www.groomersbest.com](http://www.groomersbest.com)



©2021 Groomer's Best, Inc.  
All Rights Reserved.

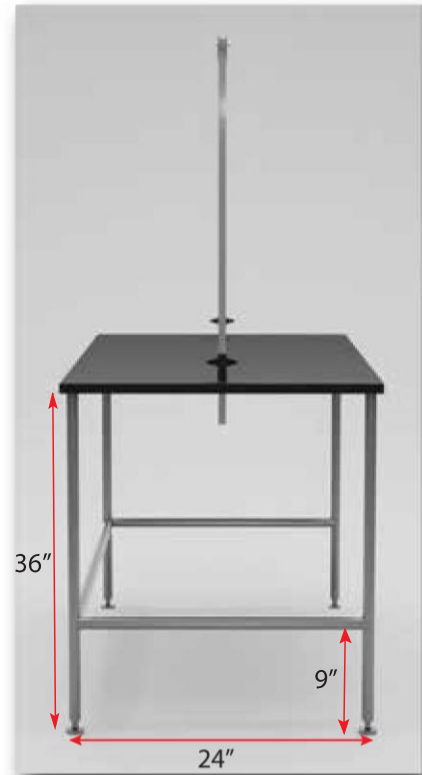


Sanitary 304 Stainless Steel Construction  
*Hygienic and extremely durable.*



Groomer's Best, Inc.  
616 S Sioux Blvd  
Brandon, SD 57005

[www.groomersbest.com](http://www.groomersbest.com)  
[www.sportsmansbest.com](http://www.sportsmansbest.com)  
[www.bestutilitysink.com](http://www.bestutilitysink.com)



Groomer's Best, Inc.  
616 S Sioux Blvd  
Brandon, SD 57005

[www.groomersbest.com](http://www.groomersbest.com)  
[www.sportsmansbest.com](http://www.sportsmansbest.com)  
[www.bestutilitysink.com](http://www.bestutilitysink.com)