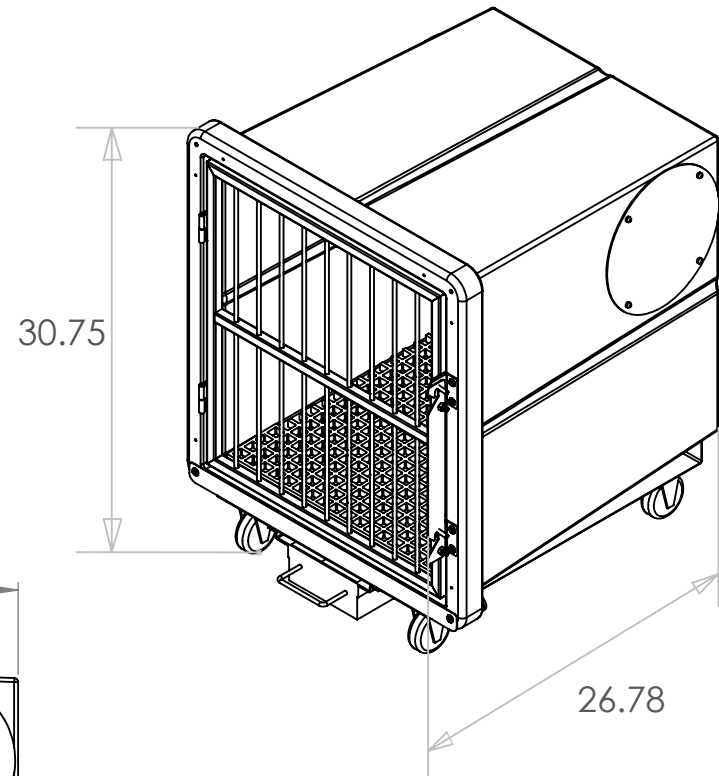
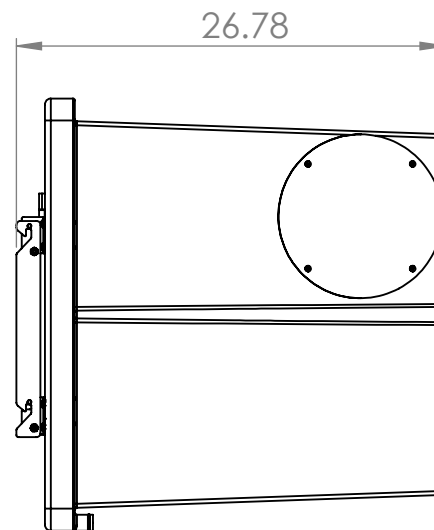
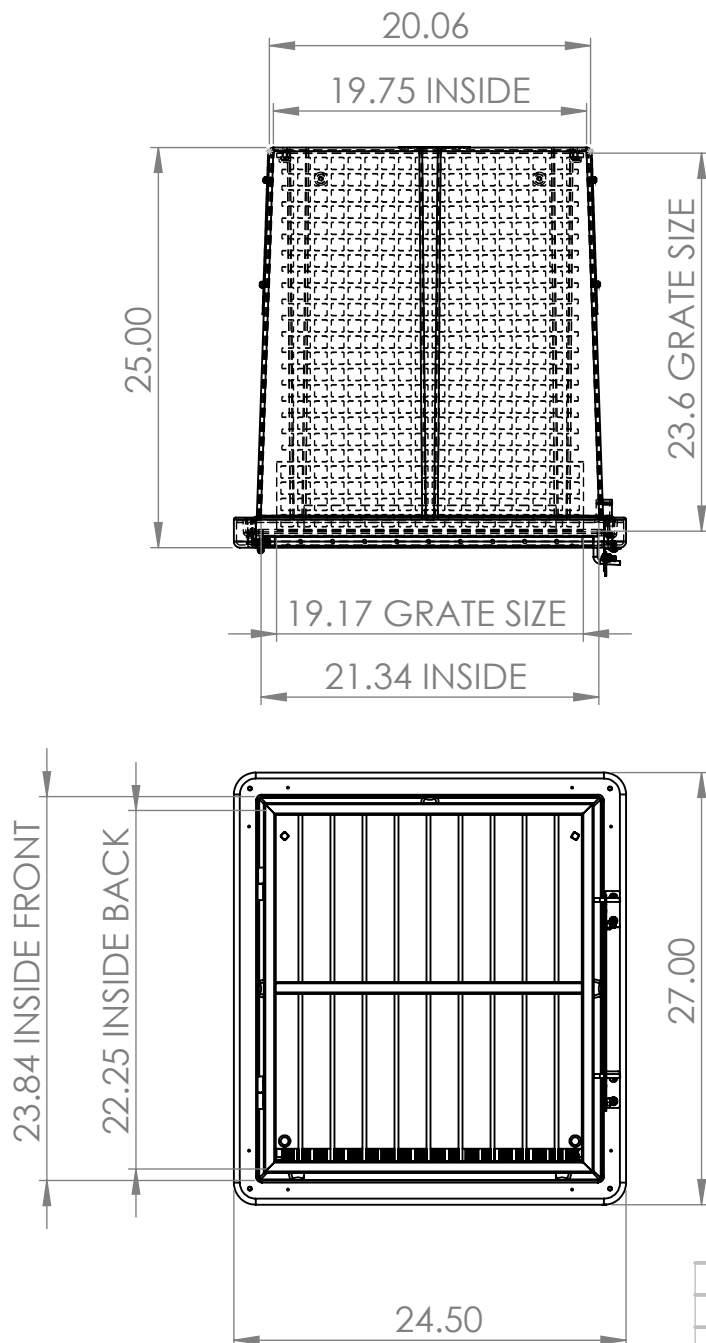


POLYETHYLENE KENNEL WITH STAINLESS STEEL ACCESSORIES



	INITIALS	DATE	REVISION: 1.00
DRAWN	MHMN	22/02/2024	UNLESS OTHERWISE SPECIFIED: DIMENSIONS ARE IN INCHES IF IN DOUBT PLEASE CONTACT GROOMER'S BEST
APPVD	JF	23/02/2024	



616 SIOUX BOULEVARD
BRANDON, SD 57110
+1 605-582-3013
SALES@GROOMERSBEST.COM

TITLE: MODULAR KENNEL

A4